

FM1101 F6V bis FM1101 F24V
FM1101 F6V to FM1101 F24V

max. Dauervakuum 100mbar max. Umgebungstemperatur 40°C max. Dauerüberdruck 100 mbar
max. continuous vacuum 3,0 Hg max. ambient operating temperature 104F max. continuous pressure 1,5 psig

| CE | Tabelle table | Spannung voltage V | Strom current | | Volumenstrom flow ml/min | Vakuum Vacuum -mbar | Druck Pressure +mbar |
|---------------------|-----------------|--------------------|---------------|------|--------------------------|---------------------|----------------------|
| | | | min. mA | max. | | | |
| Typ/Model: | FM1101 F6V= | 6 | 85 | 90 | 1250 | 270 | 300 |
| Art.-Nr./art. no.: | 0112101 | 4,5 | 75 | 100 | 1000 | 310 | 400 |
| Membrane/diaphragm: | Silikon/silicon | 3 | 55 | 100 | 600 | 280 | 380 |
| Ventile/valves: | Silikon/silicon | | | | | | |
| Typ/Model: | FM1101 F6V= | 6 | 80 | 90 | 1200 | 220 | 310 |
| Art.-Nr./art. no.: | 0112115 | 4,5 | 80 | 100 | 1000 | 300 | 400 |
| Membrane/diaphragm: | EPDM/EPDM | 3 | 50 | 110 | 600 | 270 | 400 |
| Ventile/valves: | EPDM/EPDM | | | | | | |
| Typ/Model: | FM1101 F6V= | 6 | 140 | 155 | 950 | 300 | 400 |
| Art.-Nr./art. no.: | 0112125 | 4,5 | 130 | 140 | 900 | 300 | 520 |
| Membrane/diaphragm: | Viton/viton | 3 | 100 | 170 | 200 | 300 | 360 |
| Ventile/valves: | Silikon/silicon | | | | | | |
| Typ/Model: | FM1101 F6V= | 6 | 140 | 170 | 650 | 300 | 480 |
| Art.-Nr./art. no.: | 0112126 | 4,5 | 145 | 175 | 480 | 295 | 415 |
| Membrane/diaphragm: | Viton/viton | 3 | 125 | 175 | 285 | 155 | 250 |
| Ventile/valves: | Viton/viton | | | | | | |

Teile die vom Medium berührt werden: Pumpenkopf: Ryton Membrane, Ventile: EPDM oder Silikon oder Viton
Wetted pump parts: pump head: Ryton diaphragm, valves: EPDM or silicon or viton

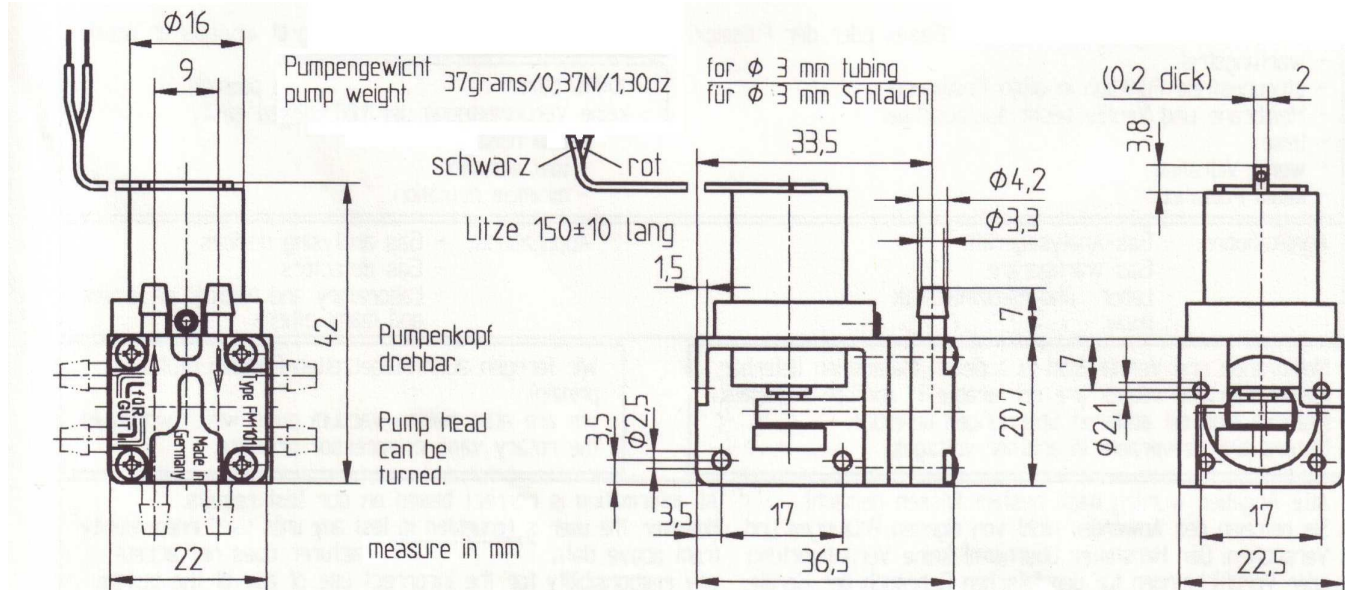
| CE | Tabelle table | Spannung voltage V | Strom current | | Volumenstrom flow ml/min | Vakuum Vacuum -mbar | Druck Pressure +mbar |
|---------------------|-----------------|--------------------|---------------|------|--------------------------|---------------------|----------------------|
| | | | min. mA | max. | | | |
| Typ/Model: | FM1101 M9V= | 9 | 110 | 125 | 1670 | 195 | 270 |
| Art.-Nr./art. no.: | 0113002 | 6 | 95 | 135 | 1150 | 290 | 410 |
| Membrane/diaphragm: | Silikon/silicon | 4,5 | 85 | 135 | 750 | 275 | 320 |
| Ventile/valves: | Silikon/silicon | | | | | | |
| Typ/Model: | FM1101 M9V= | 9 | 115 | 120 | 1650 | 230 | 315 |
| Art.-Nr./art. no.: | 0113020 | 6 | 90 | 130 | 870 | 335 | 450 |
| Membrane/diaphragm: | EPDM/EPDM | 4,5 | 80 | 130 | 630 | 310 | 370 |
| Ventile/valves: | EPDM/EPDM | | | | | | |
| Typ/Model: | FM1101 M9V= | 9 | 140 | 150 | 1200 | 300 | 360 |
| Art.-Nr./art. no.: | 0113022 | 6 | 130 | 160 | 830 | 350 | 510 |
| Membrane/diaphragm: | Viton/viton | 4,5 | 115 | 155 | 490 | 330 | 490 |
| Ventile/valves: | Silikon/silicon | | | | | | |
| Typ/Model: | FM1101 M9V= | 9 | 130 | 145 | 820 | 350 | 530 |
| Art.-Nr./art. no.: | 0113028 | 6 | 120 | 145 | 585 | 335 | 520 |
| Membrane/diaphragm: | Viton/viton | 4,5 | 110 | 155 | 390 | 290 | 470 |
| Ventile/valves: | Viton/viton | | | | | | |

Membranen und Ventile sind in anderen Materialien lieferbar. Wir fertigen auch Flügelzellen-Pumpen (Rotationsprinzip).
Diaphragms and valves are deliverable in other materials. We are also making vacuum pumps which works to the rotary vane compressor principle.
Motoren sind mit anderen Spannungen lieferbar. We are also making vacuum pumps which works to the rotary vane compressor principle.
Motors are deliverable in other voltages.

Anwendungen : - Gas- Analysegeräte Applications: - Gas analysing devices
- Gas- Warngeräte - Gas detectors
- Labor- und Medzintechnik u.s.w. - Laboratory and medical equipment and many others

Internet: www.fuergut.com
E-Mail: info@fuergut.com
Tel.: 0049 (0) 83 95/93 66 33

| CE | Tabelle table | Spannung voltage V | Strom current | | Volumenstrom flow ml/min | Vakuum Vacuum -mbar | Druck Pressure +mbar |
|--|--|--------------------|---------------|------|--------------------------|---------------------|----------------------|
| | | | min. mA | max. | | | |
| Typ/Model: Art.-Nr./art. no.: Membrane/diaphragm: Ventile/valves: | FM1101 F9V= 0113001 Silikon/silicon Silikon/silicon | 9 | 70 | 75 | 1500 | 210 | 270 |
| | | 6 | 60 | 75 | 1050 | 330 | 400 |
| | | 4,5 | 50 | 85 | 700 | 350 | 450 |
| Typ/Model: Art.-Nr./art. no.: Membrane/diaphragm: Ventile/valves: | FM1101 F9V= 0113015 EPDM/EPDM EPDM/EPDM | 9 | 80 | 85 | 1450 | 270 | 400 |
| | | 6 | 60 | 90 | 900 | 320 | 460 |
| | | 4,5 | 55 | 90 | 600 | 270 | 450 |
| Typ/Model: Art.-Nr./art. no.: Membrane/diaphragm: Ventile/valves: | FM1101 F9V= 0113025 Viton/viton Silikon/silicon | 9 | 120 | 130 | 1300 | 290 | 400 |
| | | 6 | 80 | 130 | 900 | 350 | 600 |
| | | 4,5 | 90 | 130 | 400 | 340 | 600 |
| Typ/Model: Art.-Nr./art. no.: Membrane/diaphragm: Ventile/valves: | FM1101 F9V= 0113026 Viton/viton Viton/viton | 9 | 110 | 135 | 780 | 340 | 560 |
| | | 6 | 115 | 140 | 500 | 280 | 560 |
| | | 4,5 | 85 | 125 | 350 | 165 | 485 |



| CE | Tabelle table | Spannung voltage V | Strom current | | Volumenstrom flow ml/min | Vakuum Vacuum -mbar | Druck Pressure +mbar |
|--|---|--------------------|---------------|------|--------------------------|---------------------|----------------------|
| | | | min. mA | max. | | | |
| Typ/Model: Art.-Nr./art. no.: Membrane/diaphragm: Ventile/valves: | FM1101 F12V= 0114001 Silikon/silicon Silikon/silicon | 12 | 75 | 80 | 1700 | 180 | 210 |
| | | 9 | 65 | 80 | 1100 | 300 | 350 |
| | | 6 | 60 | 85 | 700 | 340 | 410 |
| Typ/Model: Art.-Nr./art. no.: Membrane/diaphragm: Ventile/valves: | FM1101 F12V= 0114015 EPDM/EPDM EPDM/EPDM | 12 | 65 | 70 | 1700 | 230 | 300 |
| | | 9 | 50 | 70 | 1100 | 300 | 430 |
| | | 6 | 30 | 50 | 800 | 290 | 440 |
| Typ/Model: Art.-Nr./art. no.: Membrane/diaphragm: Ventile/valves: | FM1101 F12V= 0114025 Viton/viton Silikon/silicon | 12 | 80 | 85 | 1700 | 260 | 290 |
| | | 9 | 70 | 80 | 1100 | 350 | 400 |
| | | 6 | 50 | 85 | 700 | 370 | 450 |
| Typ/Model: Art.-Nr./art. no.: Membrane/diaphragm: Ventile/valves: | FM1101 F12V= 0114026 Viton/viton Viton/viton | 12 | 95 | 120 | 875 | 270 | 285 |
| | | 9 | 85 | 120 | 485 | 275 | 290 |
| | | 6 | 70 | 115 | 340 | 215 | 240 |

- | | |
|--|---|
| <ul style="list-style-type: none"> - 100% ölfrei - keine Verunreinigung der Luft, des Gases oder der Flüssigkeit - wartungsfrei - störungsfreie Funktion in allen Positionen - Membrane und Ventile leicht austauschbar - leise - wenig Vibration - kaum Pulsation | <ul style="list-style-type: none"> - 100% oil-free - contamination-free of air, gas or liquid - maintenance-free - trouble-free operation in any position - diaphragm and valves changed easily - low noise - low vibration - minimum pulsation |
|--|---|



| CE | Tabelle table | Spannung voltage V | Strom current | | Volumenstrom flow ml/min | Vakuum Vacuum -mbar | Druck Pressure +mbar |
|--|---|--------------------------|------------------|------|--------------------------------|---------------------------|----------------------------|
| | | | min. mA | max. | | | |
| Typ/Model: Art.-Nr./art. no.: Membrane/diaphragm: Ventile/valves: | FM1101 F18V= 0115001 Silikon/silicon Silikon/silicon | 15 | 45 | 50 | 1100 | 250 | 330 |
| | | 12 | 35 | 45 | 1050 | 300 | 360 |
| | | 9 | 35 | 45 | 950 | 320 | 420 |
| Typ/Model: Art.-Nr./art. no.: Membrane/diaphragm: Ventile/valves: | FM1101 F18V= 0115015 EPDM/EPDM EPDM/EPDM | 15 | 50 | 55 | 1400 | 280 | 400 |
| | | 12 | 45 | 50 | 1150 | 310 | 450 |
| | | 9 | 40 | 50 | 850 | 340 | 460 |
| Typ/Model: Art.-Nr./art. no.: Membrane/diaphragm: Ventile/valves: | FM1101 F18V= 0115025 Viton/viton Silikon/silicon | 15 | 75 | 80 | 1400 | 300 | 390 |
| | | 12 | 70 | 80 | 1100 | 350 | 510 |
| | | 9 | 60 | 85 | 800 | 350 | 600 |
| Typ/Model: Art.-Nr./art. no.: Membrane/diaphragm: Ventile/valves: | FM1101 F18V= 0115026 Viton/viton Viton/viton | 15 | 75 | 80 | 700 | 220 | 280 |
| | | 12 | 65 | 75 | 700 | 260 | 350 |
| | | 9 | 60 | 70 | 550 | 260 | 350 |

| CE | Tabelle table | Spannung voltage V | Strom current | | Volumenstrom flow ml/min | Vakuum Vacuum -mbar | Druck Pressure +mbar |
|--|---|--------------------------|------------------|------|--------------------------------|---------------------------|----------------------------|
| | | | min. mA | max. | | | |
| Typ/Model: Art.-Nr./art. no.: Membrane/diaphragm: Ventile/valves: | FM1101 F24V= 0116001 Silikon/silicon Silikon/silicon | 18 | 30 | 35 | 1200 | 200 | 300 |
| | | 15 | 25 | 40 | 1000 | 300 | 400 |
| | | 12 | 25 | 40 | 900 | 280 | 400 |
| Typ/Model: Art.-Nr./art. no.: Membrane/diaphragm: Ventile/valves: | FM1101 F24V= 0116015 EPDM/EPDM EPDM/EPDM | 18 | 35 | 45 | 1200 | 350 | 500 |
| | | 15 | 35 | 45 | 1000 | 370 | 510 |
| | | 12 | 35 | 45 | 950 | 330 | 520 |
| Typ/Model: Art.-Nr./art. no.: Membrane/diaphragm: Ventile/valves: | FM1101 F24V= 0116025 Viton/viton Silikon/silicon | 18 | 50 | 55 | 1100 | 320 | 450 |
| | | 15 | 55 | 65 | 1000 | 350 | 500 |
| | | 12 | 50 | 70 | 650 | 330 | 550 |
| Typ/Model: Art.-Nr./art. no.: Membrane/diaphragm: Ventile/valves: | FM1101 F24V= 0116026 Viton/viton Viton/viton | 18 | 45 | 55 | 800 | 160 | 220 |
| | | 15 | 50 | 65 | 700 | 200 | 350 |
| | | 12 | 40 | 60 | 600 | 190 | 30 |

Alle Angaben wurden nach bestem Wissen gemacht. Sie befreien den Anwender nicht von eigenen Prüfungen und Versuchen. Der Hersteller übernimmt keine Verantwortung oder Verpflichtungen für den falschen Gebrauch der Geräte.

All information is correct based on our test results. However, the user is requested to test any units used independently from above data. The pump manufacturer does not accept any responsibility for the incorrect use of any of the pumps.