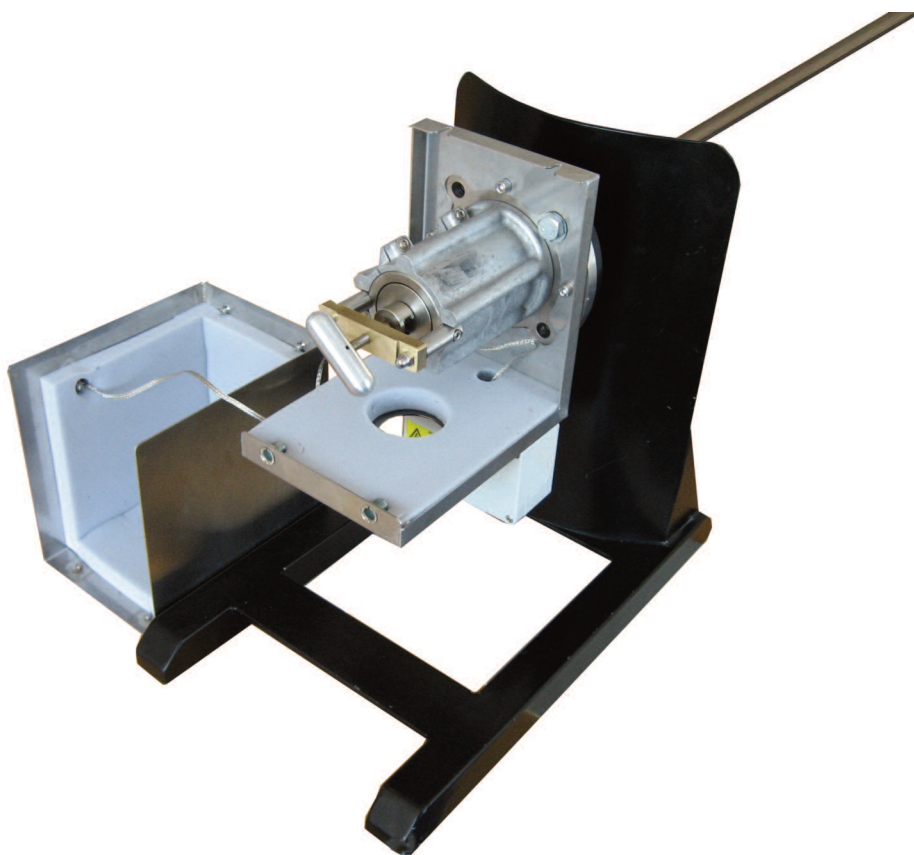




JCT
Analysentechnik

JES-301L Gas Sampling Probe



Gas Sampling Probes

Heated Sample Lines

Sample Gas Coolers

Condensate Treatment

Accessories

Gas Conditioning Systems

Sample Gas Converters

APPLICATION

- Representative continuous gas sampling in processes containing dust and humidity
- Extractive gas analysis
- Emission (CEMS) and process monitoring
- Removal of dust from the sample gas

BENEFITS

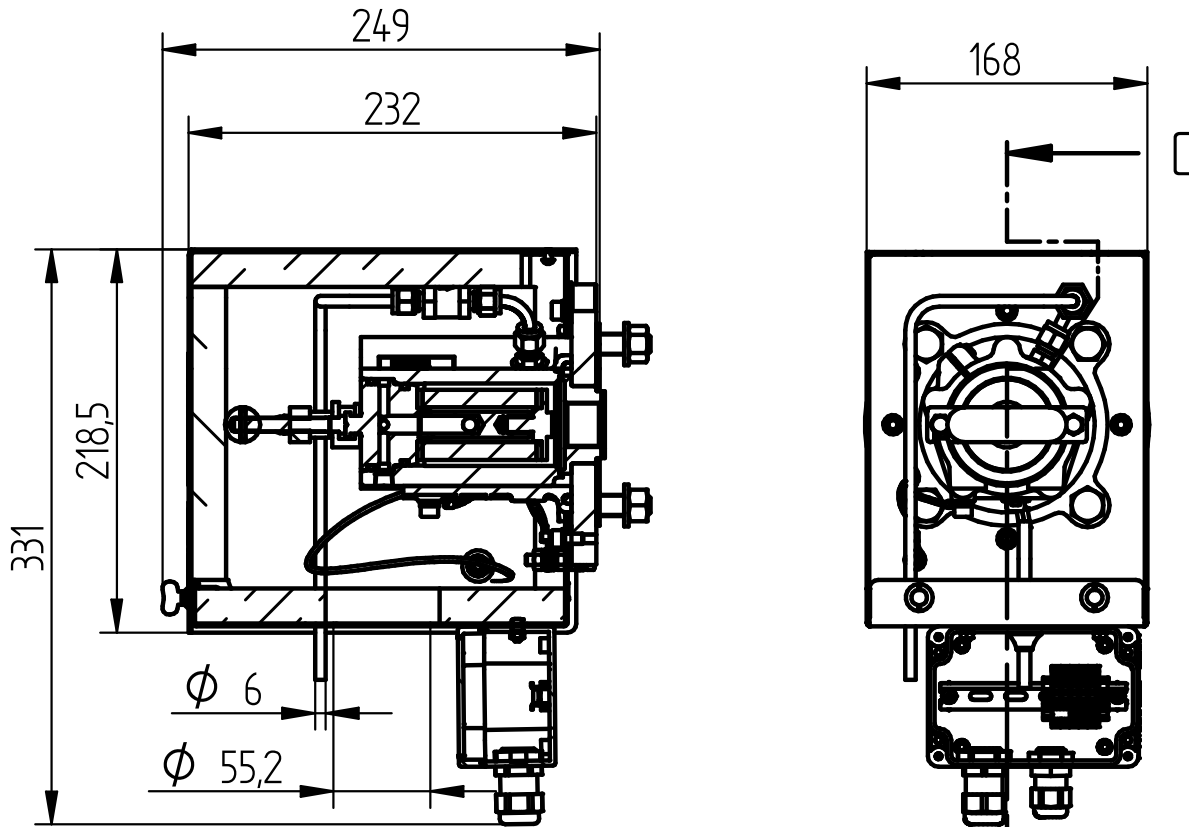
- No condensation or chemical reactions of sample gas
- Convenient filter replacement
- Low maintenance
- Easy start-up
- Reliable protection of the analyzer system

FEATURES

- Homogeneous heating without cold spots
- Filtration from outside to inside
- Filter element change without tools
- Self limiting PTC heater
- Temperature status contact
- Weather protection housing
- Wide range of accessories
- Calibration port (option)

DIMENSIONS

Dimensions in mm



ORDER CODE

| Model | Filter | | Options | | | Flange | |
|-----------|-------------------|----------------------------------------|-------------------------------------------|----------------------------|------------------------------------------|----------|-------------|
| | 2 μ m ceramic | Calibration port with non-return valve | Calibration port without non-return valve | Weather protection housing | Power supply 115 VAC to 230 VAC 50/60 Hz | DN65/PN6 | 2" ANSI (Z) |
| JES-301L | X | | | X | X | 35.03000 | 35.03030 |
| JES-301LC | X | X | | X | X | 35.03010 | 35.03040 |
| JES-301LA | X | | X | X | X | 35.03020 | 35.03050 |

Scope of delivery: sampling probe, mounting material, flange gasket, gasket for sampling pipe, operating manual

TECHNICAL DATA

Model

JES-301L

Description

stationary gas sampling probe

Operation

| | |
|---------------------------|---------------------------------------------------------|
| Temperature | approx. 180 °C |
| Low temperature threshold | 150 °C |
| Operating pressure | max. 2 bara |
| Mounting position | 5° to 15° incline (recommended), torsion angle max. 45° |
| Heating-up time | 30 min |
| Ambient temperature | -20 °C to 60 °C |
| Dust load | max. 1 g/m ³ , flow dependent |

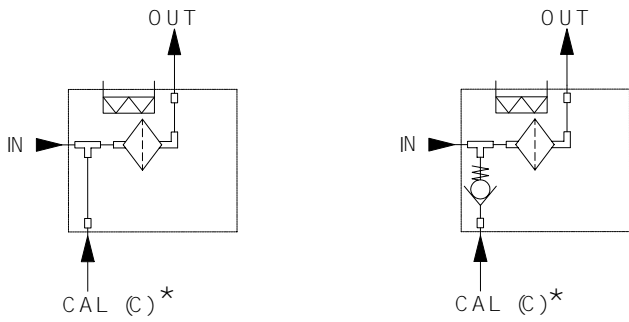
Construction

| | |
|---------------------------------------|--------------------------------------------------------------------------------------------------|
| Dimensions over all (W x H x D) | 168 x 331 x 249 mm |
| Dimensions connection box (W x H x D) | 120 x 160 x 90 mm |
| Filter element | 2 µm ceramic |
| Active filter surface | 83 cm ² |
| Mounting flange | DN 65, PN6; form A according to EN 1092-1; SS316L or 2" ANSI 150 lbs; according to ASME B16.5 |
| Sample gas inlet | G 3/4" female thread |
| Sample gas outlet | 1/8" NPT female thread |
| Calibration gas connection (option) | pipe 6 mm, SS316 |
| Gas wetted materials | SS316L, ceramic, Viton® |
| Protection class | IP43 according to EN60529 |
| Weight | 9 kg |
| Weather protection housing | SS304, thermal insulated, colour stainless steel natural |
| Approvals / signs | CE |

Electrics

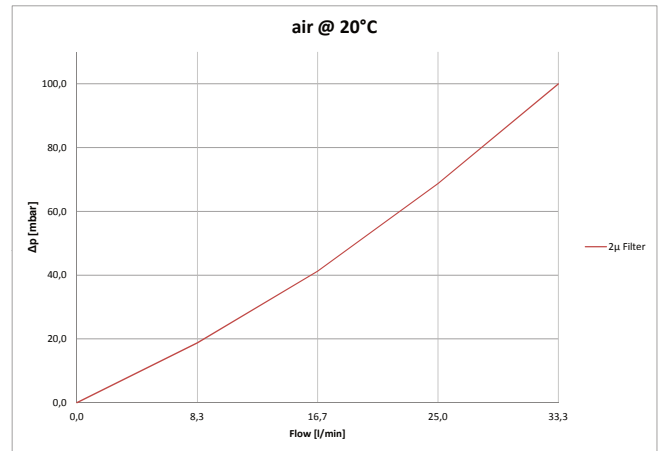
| | |
|-----------------------------------------------|-------------------------------------------------------------------|
| Power supply | 115 to 230 VAC 50/60 Hz |
| Power consumption | approx. 300 VA |
| Heater element | PTC self limited |
| Electrical connection | spring type terminals, clamping range 0,08 to 2,5 mm ² |
| Protection class junction box | IP65 |
| Switching capacity status contact (volt free) | min. 24 VDAC / 50 mA, max. 230 VAC / 5A cosP 0,95 |

GAS FLOW DIAGRAM



*... not included in all models

**Pressure characteristics in dependence of the gas flow
(for new filter element and 20 °C)**



ACCESSORIES

Sampling pipe

| | |
|----------|--------------------------------------------------------------------------------------------|
| 35.03060 | Sampling pipe for JES-301L, SS316, length 1000 mm, 12 x 1,5 mm, temp. max. 600 °C, G 3/4"o |
|----------|--------------------------------------------------------------------------------------------|

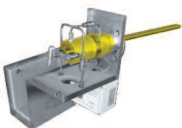
JCT Analysentechnik GmbH offers a wide range of accessories. Please refer to separate data sheets for further information:

- **JES-301 Accessories**

Flange adapters

Accessories for gas connections

Gas Sampling **Probes**



Heated Sample **Lines**



Sample Gas **Coolers**



Gas Conditioning **Systems**



NOx **Converter**



and solutions for



JCT Analysentechnik GmbH ■ Werner Heisenberg-Strasse 4 ■ 2700 Wiener Neustadt ■ AUSTRIA ■ T +43 2622 87201 ■ sales@jct.at

Przedstawiciel w Polsce: ATUT Sp. z o.o. www.atut.lublin.pl e-mail: info@atut.lublin.pl tel.: +48 817403345