



» Heating Microscope with Automatic Image Analysis Installation Requirements

Laboratory Bench

Bench space of at least 2 m (width at least 60 cm) for the heating microscope and furnace controller, PC, monitor and keyboard.

Additional space, most suitable on a separate table for transformer (ca. 40 cm) and circulating chiller (ca. 60 cm) – vibrations must not influence the analysis of test objects

The below technical drawing shows a possible solution of the set-up of a heating microscope.

Water Cooling

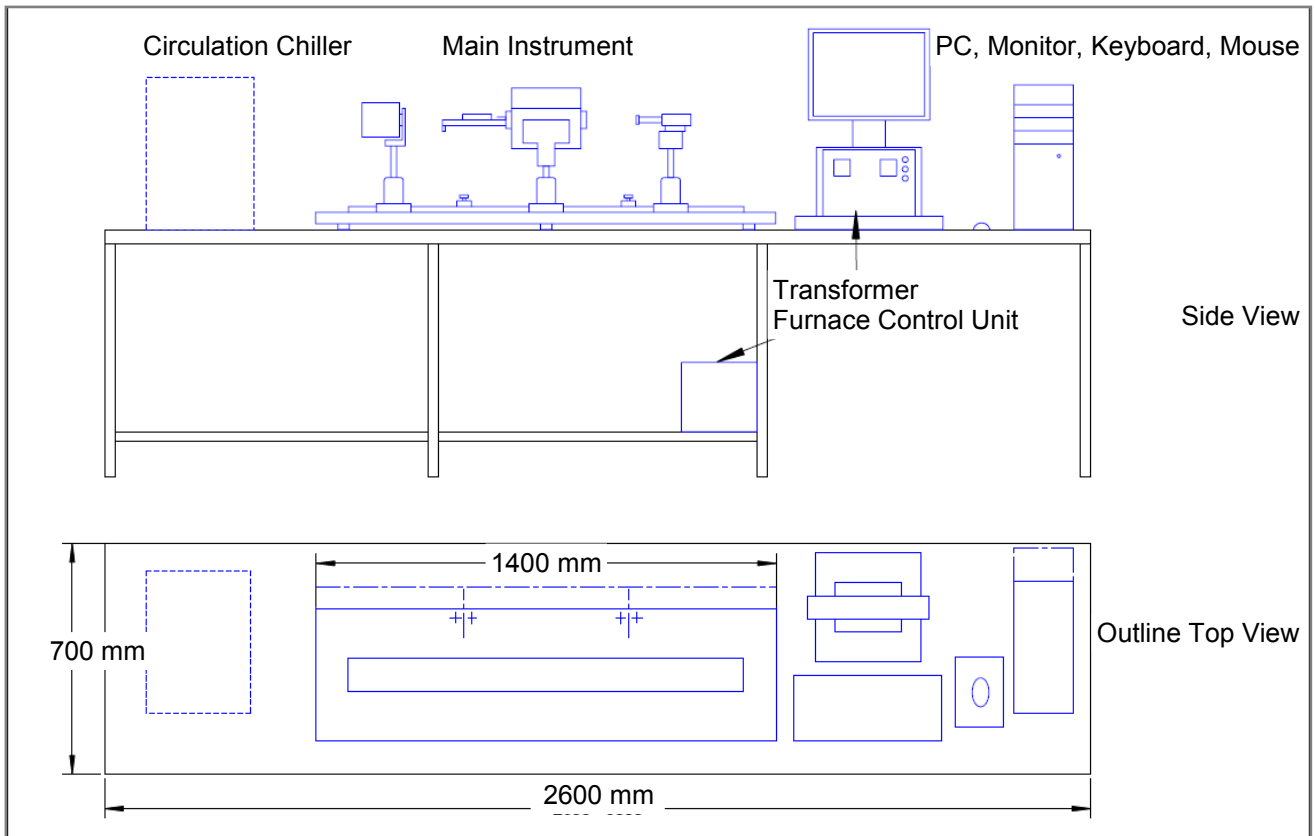
Option 1: A circulating chiller can be used to cool the water for the furnace closures in a closed circuit. On request, Hesse Instruments will provide a technically suitable chiller of a renowned manufacturer.

Option 2: Water supply near the instrument, providing cold water with a flow rate of 10 to 20 liters/hour.

PC-System

A PC – including accessories – consistent with the heating microscope's requirements is usually provided and installed by Hesse Instruments. However, a standard TFT monitor and office printer can also be made available by the end user. The scope of delivery is always specified in the individual customer order.

Minimum requirements of the computer see data sheet Software




Electrical Connections

The standard heating microscope is designed for mains connection of 230 V 50/60 Hz AC. Its wattage is approximately 2000 VA.

Depending on the scope of delivery and number of accessories, a varying number of sockets is necessary. (One connector strip with four sockets is always included in delivery.) The table below, especially its last column, shows what has to be provided in the lab for a straightforward installation.

Two or three independent circuits should be available:

Circuit 1	Lamp Camera Computer PC-monitor (option 1) PC-Monitor (option 2) Printer (option)	Connector strip, 4 sockets	< 1000 VA	Depending on the configuration 1 to 3 sockets (or adapters) type F / IEC 60884-1	
Circuit 2	Furnace and Furnace control unit		< 1000 VA	1 Socket (or adapter) type F / IEC 60884-1	
Circuit 3	Circulation chiller (option)		< 1000 VA	1 Socket (or adapter) type F / IEC 60884-1	

